



The MS boltlock is a key operated mechanical bolt interlock that is suitable for the control of electrical switches, circuit breakers or main power disconnect switches.

The bolt controls mechanically the rotation or movement of operating handles or axis of breakers or main power switches.

The interlock is made of copper brushed aluminium, making it ideal for use in harsh or corrosive environments. The material is low maintenance and is self-lubricating.



Trapped Key Interlocks



INDUSTRY



ENERGY



Railway

USAGE

Bolt interlock is used as a part of a safety system.



This lock is not designed for door locks as the bolt can be released door open.

No hazardous substances were used in the manufacture of this product. The product can be disposed of in standard waste.

INSTALLATION



A safety lock must be fitted with suitable fasteners.

Important:

To prevent unauthorized removal, the lock must be mounted using rivets or M5 stainless steel safety fixing screws (washers, nuts and screws).

The installation must be carried out by a competent and qualified person who has read and understood these instructions.

In case of vibrations, contact STI.

MAINTENANCE

Periodic visual checks should be carried out to check for deformation or corrosion/erosion/acid aggregating by the site manager/safety officer. Clearing the marking/closing of the lock attachment.

Do not lubricate lock barrel with oil or grease, use Powder Graphite if necessary.



In case of defects being detected please contact your nearest Serv Trayvou Support Department for further actions. Please see Contact section for contact details.

TECHNICAL DATA

Temperature rating	Contact STI for details
Weight	0,78 kg single-keyed entry
Material	- Mechanism: Copper brushed aluminium - Other part: Stainless steel 304 - Flip cap gasket: Cellular silicon - Marking plate: Aluminium (stuck) Brass (riveted or stuck) - Plate glue: Acrylic - Loctite AA330
Product finish	None
Homologation	Contact STI for details
Salt spray resistance	Contact STI for details
IP Rating	Contact STI for details
Mechanical life	Contact STI for details
B10d	Contact STI for details
Diagnostic coverage (%)	Contact STI for details
Retention force	Contact STI for details
Shock & vibration (IK)	Contact STI for details
ROHS	Certificate available on request
REACH	Certificate available on request
Conflict mineral	Certificate available on request

OPTIONS

- Up to 4 key entries (Exchange or all key free refer to the function table Page...)
- Switch 2O-2C (standard), sealing possible - Switch function in key free position
- Without flip cap

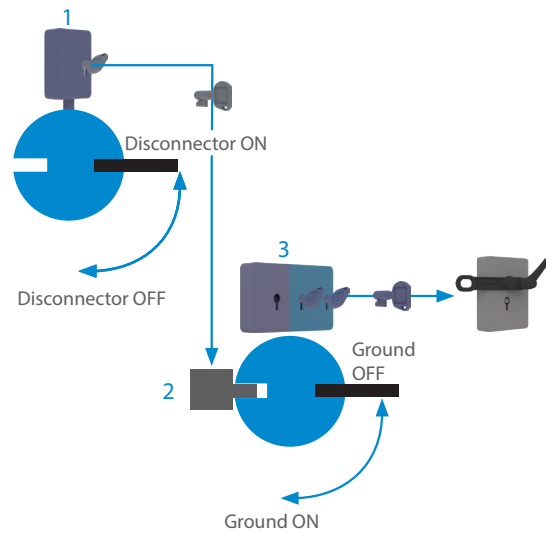
APPLICATION

While power supply to the system is switched on, the access doors to the hazardous area are locked closed.

Key A is trapped in the disconnector MS bolt interlock (1) while the process is on.

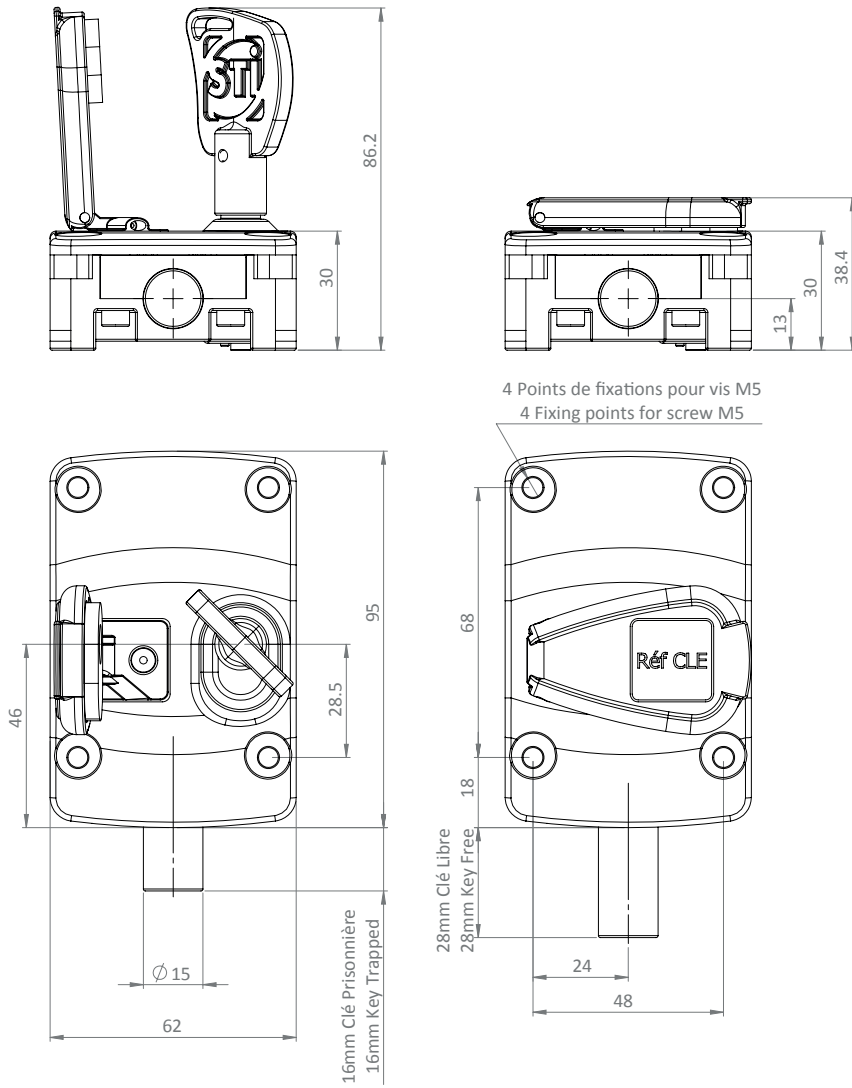
To enter the hazardous area:

- Turn off the disconnector
- Release key A, the disconnector is locking in the disengaged position
- Insert and turn the key A to turn the grounding switch to engage ground (2)
- Key A is trapped
- Release key B (3) to lock the grounding switch and ensure that the ground connection cannot be broken
- Insert and turn the key B to operate the access interlock on the door
- Release and keep key C to open the door



Note: For safe mounting, use security screws

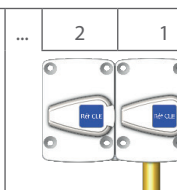
MS Boltlock



ORDER INFORMATION

	Component type	No. of entries	No. of bolt	1	2	3	4	5
Part number	MS							
Example	MS	2	1	P15	AB	NS	0	000

1	Locking element	P15 = Bolt lock Ø15 P10 = Bolt lock Ø10 P08 = Bolt lock Ø08
2	Function of lock	The function determines the position of the keys (present or absent). Please see table FUNCTION
3	Presence of contact	NS = No contact FS = Contact in front BS = Contact at back
4	Position of contact	From 1 to 5 which represents the position of the contact on the module starting from the right
5	No. of order	For dedicated applications. This number is assigned by STI for a suitable product



CONTACT INFORMATION

Serv Trayvou

1 ter rue du Marais
93100 MONTREUIL
France

t : +33 (0)1 48 18 15 15

f : +33 (0)1 48 59 68 50

e : sales@servtrayvou.com