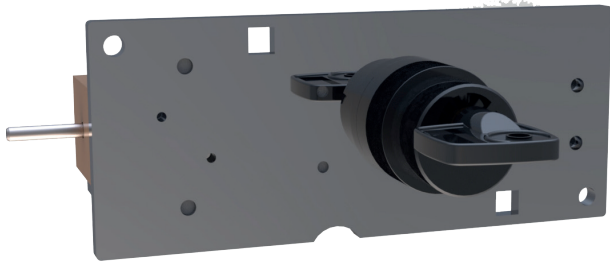


APE/HPE Electromechanical Plate

Solenoid Controlled Key Switch



This product is used where the controlled isolation of a machine or process needs to take place, i.e. where a robot has to finish a cycle prior to isolation or temporisation, zero speed position, temperature level...

With this product, the key(s) can only be released when an electrical signal is given to the solenoid (when it's energised or not energised). The solenoid then changes its position and allows the key or keys to be rotated.

System available from 1 to 3 cylinders depending on your application.



Trapped Key Interlocks



ENERGY

USAGE

The Electromechanical controlled switch is designed to be part of a safety system used to isolate the power releasing a key which is then used to gain access to a hazardous area via an access interlock.



The solenoid controlled switch is not designed for security purposes.

INSTALLATION

Contact STI for installation instructions.

MAINTENANCE

Contact STI for maintenance instructions.

TECHNICAL DATA

APE/HPE Electromechanical Plate

Solenoid Controlled Key Switch



Temperature rating	Contact STI for details
Type of mounting	Surface or over back mount using with suitable fasteners
Weight	500 g
Material	- Metal: Black anodised - Nickel brass - Zamak - Composite: Black anodised - GRIVORY (65% FV) - Nickel brass - Zamak
Product finish	Black anodised / Composite housing
Enclosure	
Power isolation	6A
Voltage	24, 48, 110, 125, 220 VDC & VAC
Nominal power consumption	Coil: 7,5W
Motor isolation (AC values) / Switch polarity	4000V
Homologation	- Low-voltage directive 2006-95-CE - EMC directive 2004-108-CE
Salt spray resistance	Contact STI for details
IP Rating	Contact STI for details
Mechanical life	Contact STI for details
B10d	Contact STI for details
Diagnostic coverage (%)	Contact STI for details
Retention force	Contact STI for details
Shock & vibration (IK)	Transport and functional random vibration
Dielectric	Contact STI for details
ROHS	Certificate available on request
REACH	Certificate available on request
Conflict mineral	Certificate available on request

OPTIONS

- Flat or Star key
- Up to 3 key entries
- Function
- Switch
- Type of rotor (aluminium or composite)

APE/HPE Electromechanical Plate

Solenoid Controlled Key Switch

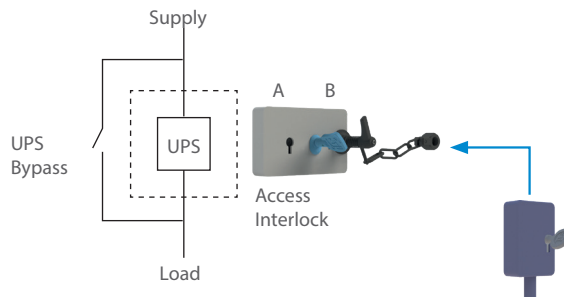


APPLICATION

While the UPS is running, the key is trapped in the ASE/HSE Interlock. The key can only be turned and released when the UPS is put into Bypass. This will energise the solenoid via a remote signal from the UPS system.

Turning the key changes the condition of the switch and released the key, which can now be transferred to the access interlock. This allows access to the UPS for maintenance.

The UPS will remain in a safe state until the key is returned and inserted back into the electromechanical lock and trapped. This allows the UPS to be returned to service.

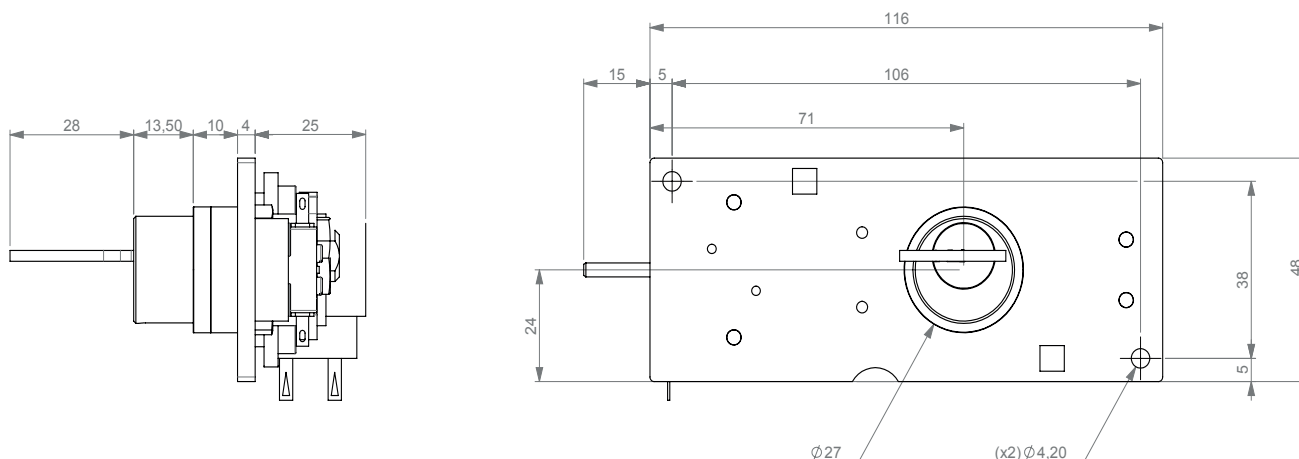


DRAWING

Dimensions: in mm

Note: For safe mounting, use security screws

APE/HPE Electromechanical Plate

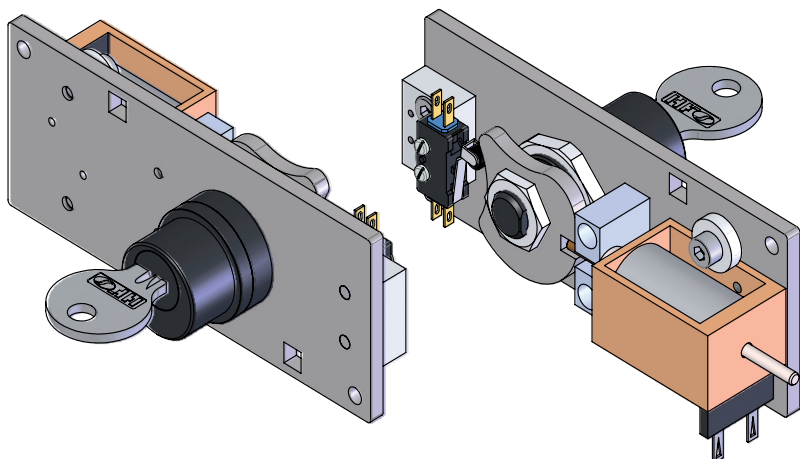


Référence Produit avec clé type:
(product reference following key type:)

- Plate = APE10^AEL5000
(flat)

5 = Rotor Aluminium
6 = Rotor Composite

Fonction: A,B



NOTE:
- delivered not wired
- voltage: On request

Option: auxiliary push button
(hole $\varnothing 22$ is required)

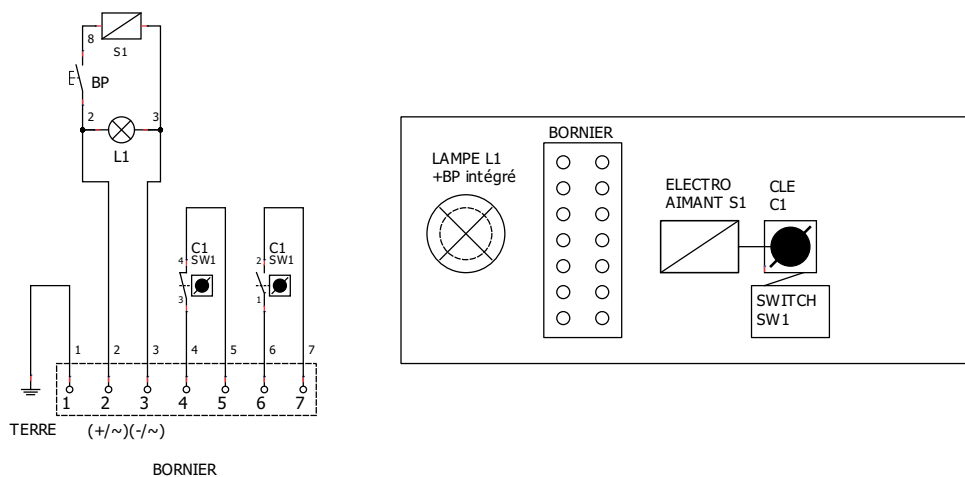
APE/HPE Electromechanical Plate

Solenoid Controlled Key Switch



WIRING DIAGRAM

APE/HPE Electromechanical Plate



APE/HPE Electromechanical Plate Solenoid Controlled Key Switch



ORDER INFORMATION

	1	2	3	4	5	6	7
Part number							
Example	A	PE	1	A	PS	5	000

1	Cylinder profile	A = Flat key H = Star key
2	Product family	PE = Electromechanical plate
3	No. of cylinders	1 2 3
4	Function	Function A,B
5	Key profile	Star key = PS Flat key 5 pins = EK, EL, EM, EP, ET, EV Flat key 6 pins = GK, GL, GM, GP, GT, GV
6	Type of rotor	5 = Aluminium 6 = Composite
7	Particularity	000 = Standard Contact us for customized solution (wiring / options...)

ACCESSORIES

- Flip cap

CONTACT INFORMATION

Serv Trayvou

1 ter rue du Marais
93100 MONTREUIL
France

t : +33 (0)1 48 18 15 15

f : +33 (0)1 48 59 68 50

e : sales@servtrayvou.com